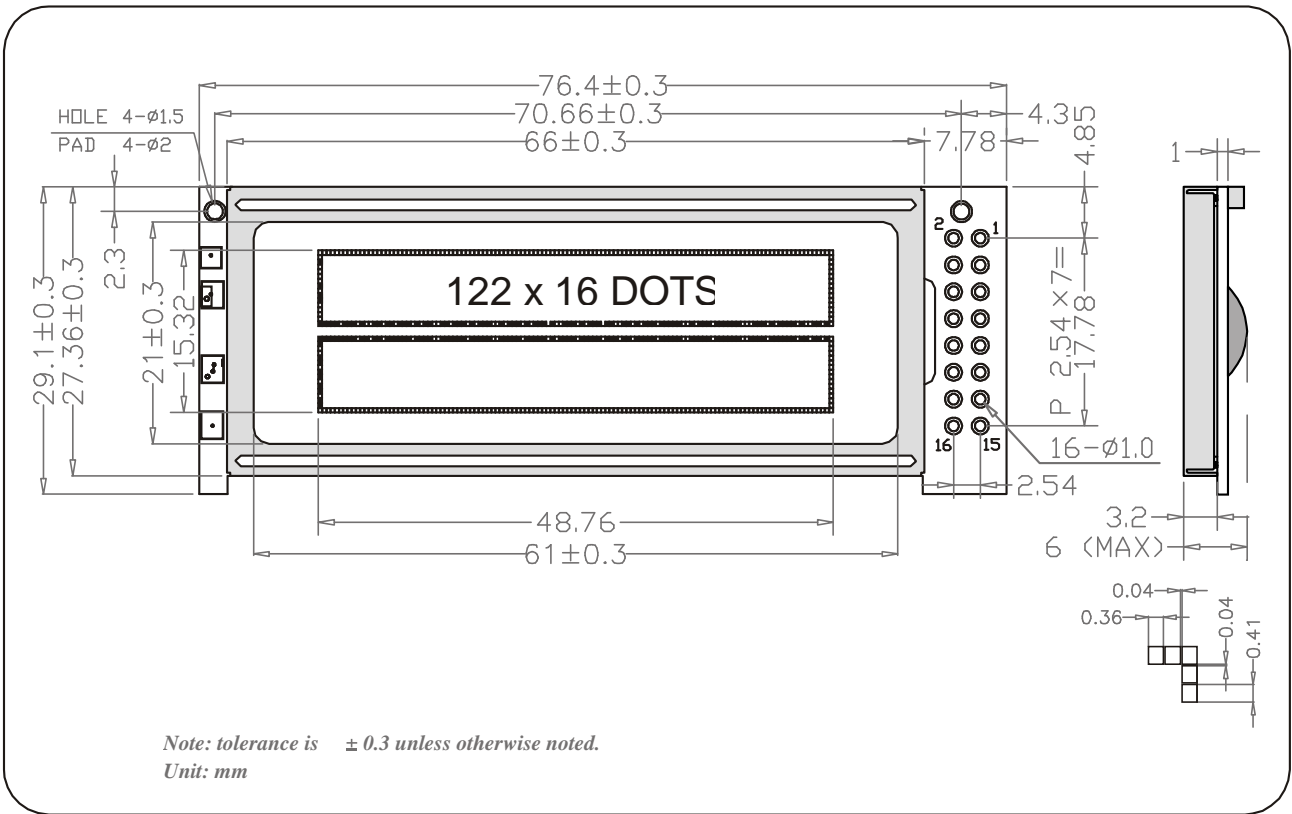


# iLM12232A SERIES

## CHARACTERISTICS:

DISPLAY CONTENT: 122 x 32 DOTS OR 122 x 16+122 x 16 DOTS  
 LCD TYPE: STN Y/G  
 LED BACKLIGHT: NC  
 CONTROLLER: SED1520 OR EQUAL  
 OPERATING TEMPERATURE: NORMAL(0-50°C); WIDE(-20-70°C)  
 POWER SUPPLY: 5.0V  
 VIEWING ANGLE: 6H; 12H

## DIMENSIONS/DISPLAY CONTENT



## PIN CONFIGURATION

1	2	3	4	5	6	7	8
V <sub>DD</sub>	V <sub>SS</sub>	V <sub>0</sub>	RES	E1	E2	R/W	A0
9	10	11	12	13	14	15	16
DB0	DB1	DB2	DB3	DB4	DB5	DB6	DB7

## LIMIT PARAMETER (T<sub>a</sub>=25°C)

Parameter	Symbol	Standard Values		Unit
		Min.	Max.	
Supply Voltage	V <sub>DD</sub> -V <sub>SS</sub>	0	5.5	V
LCD Voltage	V <sub>DD</sub> -V <sub>0</sub>	0	12	
Input Voltage	V <sub>IN</sub>	0	V <sub>DD</sub>	

## ELECTRONIC PARAMETER

Parameter	Symbol	Standard Values			Unit	
		Typ.	Max.			
Voltage	Logic	V <sub>DD</sub> -V <sub>SS</sub>	4.75	5.0	5.25	V
	LCD	V <sub>DD</sub> -V <sub>0</sub>	4.5	5.0	6.5	V
Current	Logic	I <sub>DD</sub>	-	2.5	-	mA
	LCD	I <sub>EE</sub>	-	2.0	-	mA
LCD Drive Voltage(25°C)		V <sub>IH</sub>	0.7V <sub>DD</sub>		V <sub>DD</sub>	V
		V <sub>IL</sub>	0		0.3V <sub>DD</sub>	V

## APPLICATION CIRCUIT

