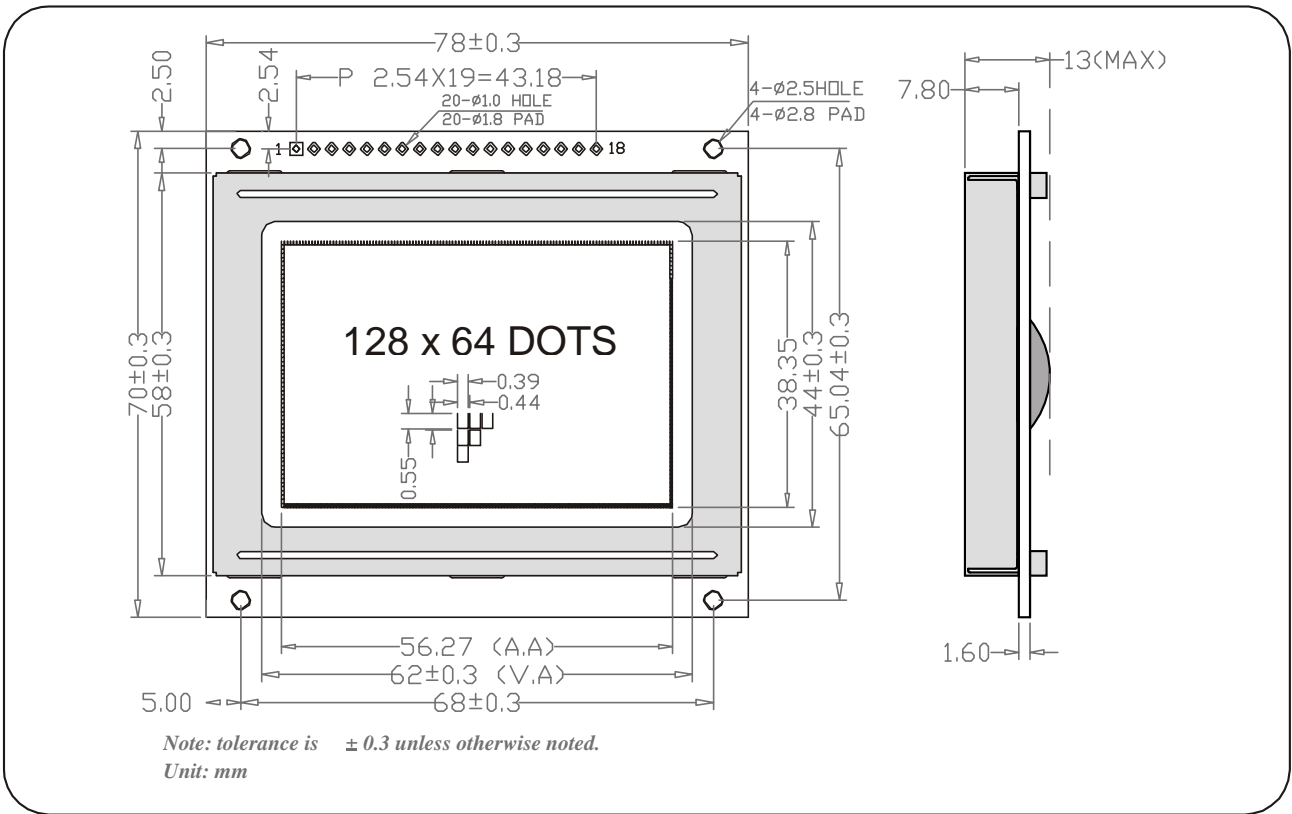


iLM12864C SERIES

CHARACTERISTICS:

- DISPLAY CONTENT: 128 x 64 DOTS
- LCD TYPE: STN Y/G、STN BLUE
- LED BACKLIGHT: Y/G、WHITE
- CONTROLLER: KS0108 OR EQUAL
- OPERATING TEMPERATURE: NORMAL(0-50°C); WIDE(-20-70°C)
- POWER SUPPLY: 5.0V
- VIEWING ANGLE: 6H; 12H

DIMENSIONS/DISPLAY CONTENT



PIN CONFIGURATION

1	2	3	4	5	6	7	8	9
CS1	CS2	GND	VDD	V0	A0	R/W	E	DB0
10	11	12	13	14	15	16	17	18
DB1	DB2	DB3	DB4	DB5	DB6	DB7	LEDA	LEDK

LIMIT PARAMETER (Ta=25°C)

Parameter	Symbol	Standard Values		Unit
		Min.	Max	
Supply Voltage	VDD-VSS	0	7.0	V
LCD Voltage	VDD-V0	0	17	
Input Voltage	V1	0	VDD	

ELECTRONIC PARAMETER

Parameter	Symbol	Standard Values			Unit	
			Typ.	Max		
Voltage	Logic	VDD-VSS	4.75	5.0	5.25	V
	LCD	VDD-V0	8.0	9.0	17	V
Current	Logic	IDD	-	2.5	-	mA
	LCD	IEE	-	2.0	-	mA
LCD Drive Voltage(25°C)				9.0	-	V
Voltage(25°C)		V _{IH}	0.7V _{DD}	-	V _{DD}	V
		V _{IL}	0	-	0.3V _{DD}	V

APPLICATION CIRCUIT

