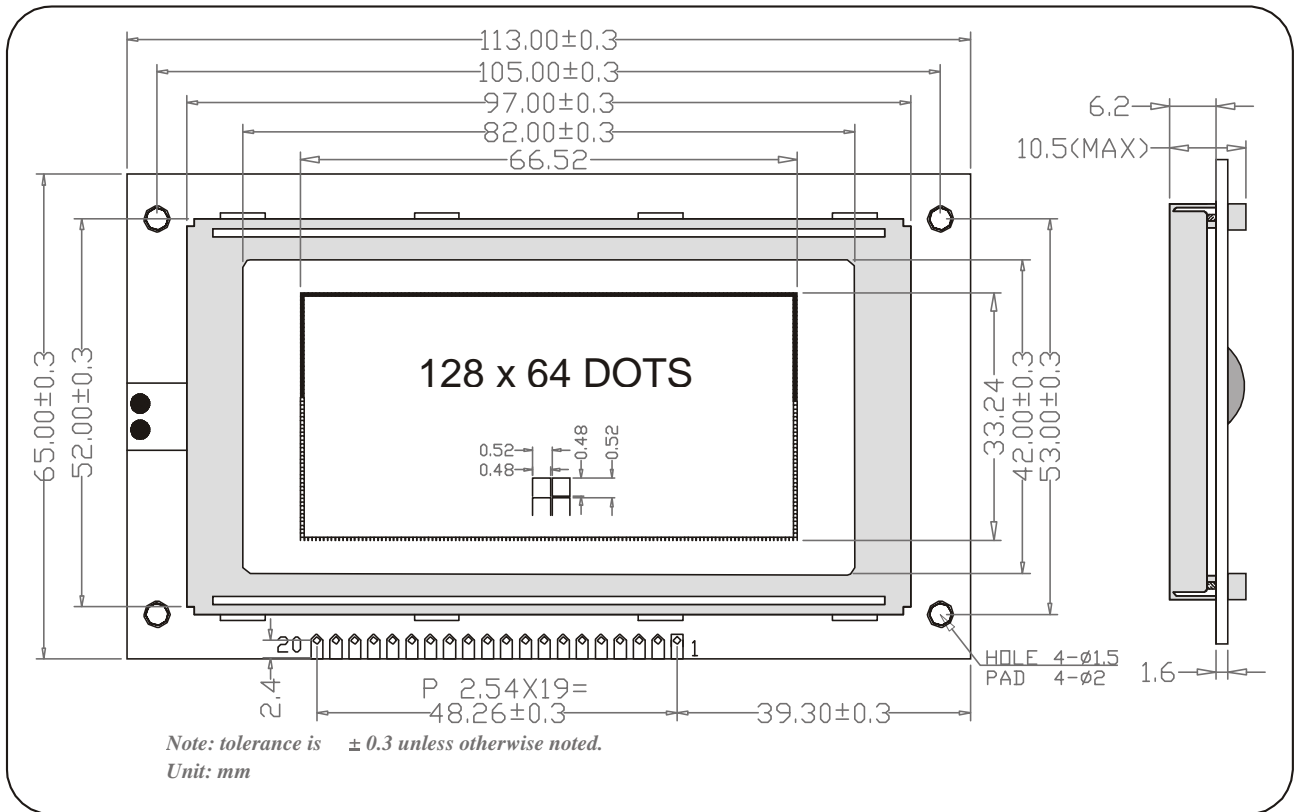


iLM521-128 SERIES

CHARACTERISTICS:

DISPLAY CONTENT: 128 x 64 DOTS
 LCD TYPE: STN Y/G、STN BLUE
 LED BACKLIGHT: Y/G、WHITE
 CONTROLLER: KS0108 OR EQUAL
 OPERATING TEMPERATURE: NORMAL(0-50°C); WIDE(-20-70°C)
 POWER SUPPLY: 5.0V
 VIEWING ANGLE: 6H; 12H

DIMENSIONS/DISPLAY CONTENT



PIN CONFIGURATION

1	2	3	4	5	6	7	8	9	10
V _{SS}	V _{DD}	V ₀	A ₀	R/W	E	DB0	DB1	DB2	DB3
11	12	13	14	15	16	17	18	19	20
DB4	DB5	DB6	DB7	CS1	CS2	RST	VEE	LEDA	LEDK

LIMIT PARAMETER (T_a=25°C)

Parameter	Symbol	Standard Values		Unit
		Min.	Max	
Supply Voltage	V _{DD} -V _{SS}	0	7.0	V
LCD Voltage	V _{DD} -V ₀	0	17	
Input Voltage	V _I	0	V _{DD}	

ELECTRONIC PARAMETER

Parameter	Symbol	Standard Values	Standard Values			Unit
			Typ.	Max	Min	
Voltage	Logic	V _{DD} -V _{SS}	4.75	5.0	5.25	V
	LCD	V _{DD} -V ₀	8.0	9.0	17.0	V
Current	Logic	I _{DD}	-	2.5	-	mA
	LCD	I _{EE}	-	2.0	-	mA
LCD Drive Voltage(25°C)				9.0		V
Voltage(25°C)	V _{IH}	0.7V _{DD}	-	V _{DD}		V
	V _{IL}	0	-	0.3V _{DD}		V

APPLICATION CIRCUIT

