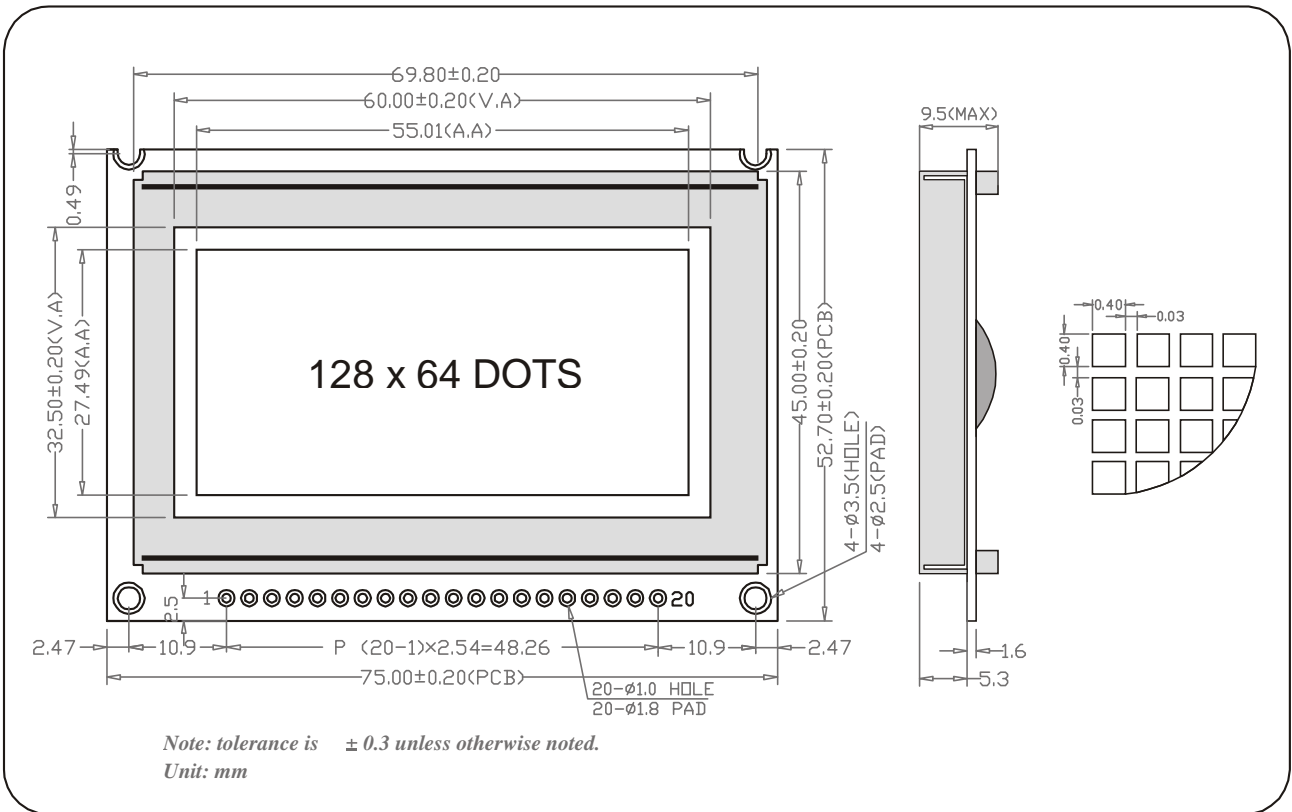


iLM613-128 SERIES

CHARACTERISTICS:

DISPLAY CONTENT: 128 x 64 DOTS
 LCD TYPE: STN Y/G、STN BLUE
 LED BACKLIGHT: GREEN、WHITE
 CONTROLLER: KS0108 OR EQUAL
 OPERATING TEMPERATURE: NORMAL(0-50°C); WIDE(-20-70°C)
 POWER SUPPLY: 5.0V
 VIEWING ANGLE: 6H; 12H

DIMENSIONS/DISPLAY CONTENT



PIN CONFIGURATION

1	2	3	4	5	6	7	8	9	10
VDD	VSS	V0	DB0	DB1	DB2	DB3	DB4	DB5	DB6
11	12	13	14	15	16	17	18	19	20
DB7	CS1	CS2	RST	R/W	A0	E	VEE	LEDA	LEDK

LIMIT PARAMETER (Ta=25°C)

Parameter	Symbol	Standard Values		Unit
		Min.	Max	
Supply Voltage	VDD-VSS	0	7.0	V
LCD Voltage	VDD-V0	0	17	
Input Voltage	V1	0	VDD	

ELECTRONIC PARAMETER

Parameter	Symbol	Standard Values	Standard Values			Unit
			Typ.	Max	Min	
Voltage	Logic	VDD-VSS	4.75	5.0	5.25	V
	LCD	VDD-V0	7.0	9.0	17	V
Current	Logic	IDD	-	2.5	-	mA
	LCD	IEE	-	2.0	-	mA
LCD Drive Voltage(25°C)						
Voltage	V _H	V _{IH}	0.7VDD	-	VDD	V
	V _L	V _{IL}	0	-	0.3VDD	V

APPLICATION CIRCUIT

