

Customize High-brightness LED 5W to 300W; 300lm to 17000lm; Wide Range of Colors

Production LED Parameters:

Power Dissipation	5W to 300W
Forward Voltage	6V to 36V
Reverse Current	800mA to 8000mA
Correspondingly	2000K to 6500K
Luminous Intensity	300lm to 17000lm
Viewing Angle	130°
Operating Temperature	-20°C to +80°C
Storage Temperature	-30°C to +100°C

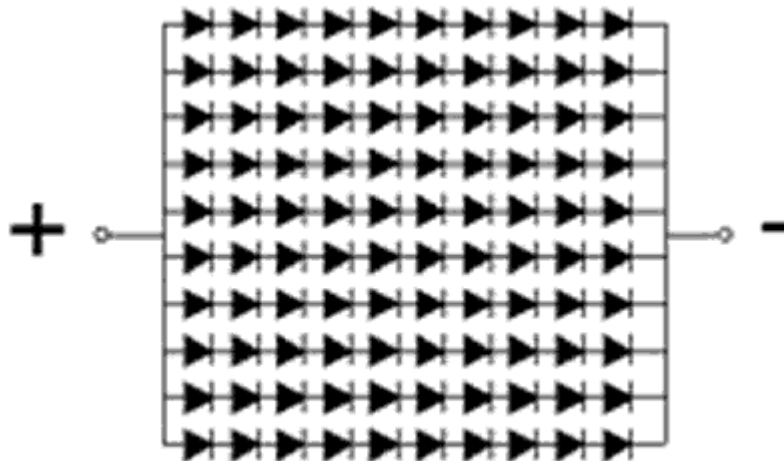
Production LED Colors:

Color	Dominant Wavelength (nm) or CCT (K)	
	Min.	Max.
White	5000K	10000K
Warm White	2700K	3500K
Blue	465nm	475nm
Green	520nm	535nm
Amber	585nm	595nm
Red-Orange	610nm	620nm
Red	620nm	630nm

Production LED Matrix:

LED Chip: 1W to 3W

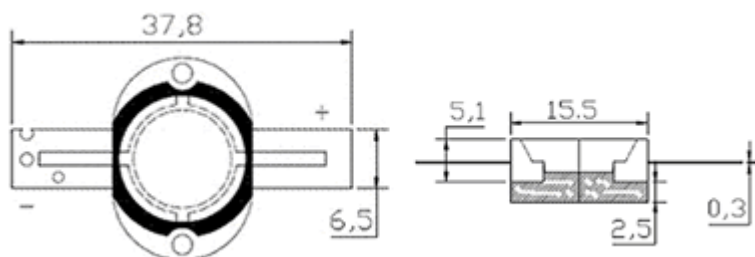
LED Matrix: 2x2 to 10x10



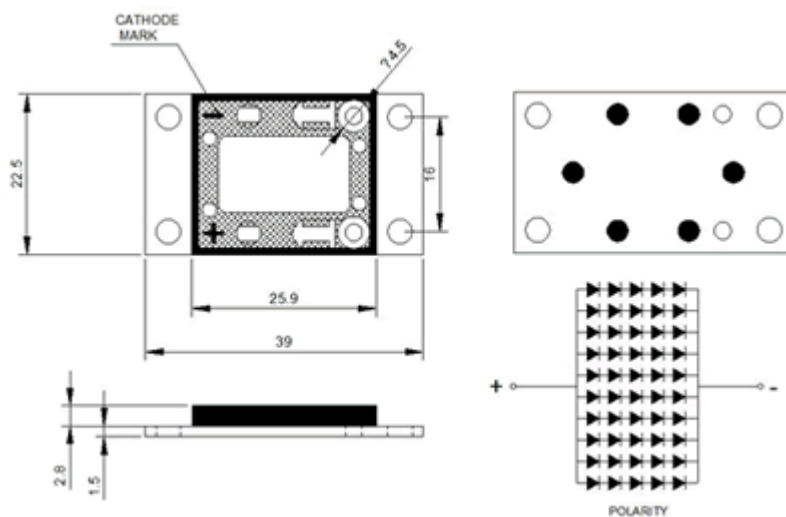
LED Matrix

Production LED Package:

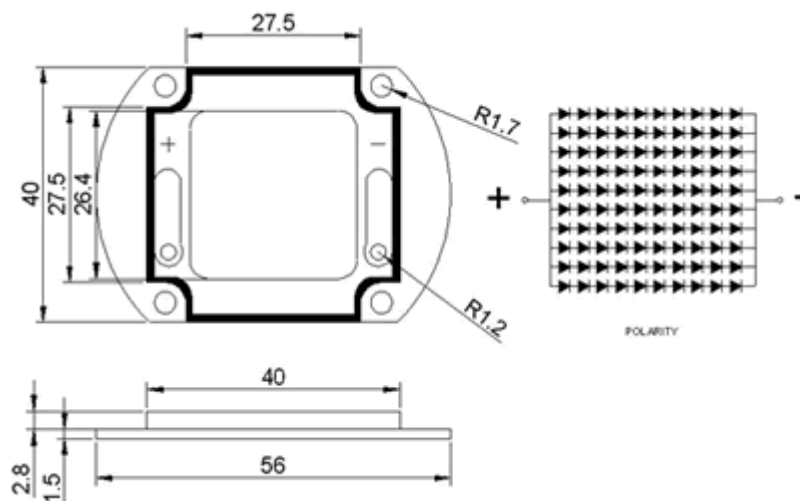
iC15: 5W to 10W



iC25: 20W to 50W



iC40: 50W to 300W



Production LED Contact:

Leo Lee
Manager

IIC--International Intelligent Integrated Circuit (HongKong) Co., Ltd.

(Distributing electronic components & products worldwide)

Room401, Building10, Fuminxincun, Futian district, Shenzhen City, Guangdong Province, China

Email: manager@iic.cc

<http://www.iic.cc>