

IL12C2-10W

FEATURES:

- I GaN/SiC LED
- I 10W High-brightness LED LAMP
- I High luminous intensity, high reliability and long life
- I Pb free



APPLICATIONS:

Lighting, flashlights, miner's lamp, LED lamps and a variety of urban lighting engineering, stage lighting, etc.

ABSOLUTE MAXIMUM RATINGS (at $T_A=25^{\circ}\text{C}$):

Parameter	Symbol	Min.	Max.	Unit
Forward Current	I_F		1000	mA
Pulse Forward Current	I_{FP}^*		3000	mA
Reverse Voltage	V_R		5	V
Power Dissipation	P_D		10	W
ESD	V		± 4500	V
Operating Temperature	$T_{opr.}$	-30	+85	$^{\circ}\text{C}$
Storage Temperature	$T_{stg.}$	-40	+100	$^{\circ}\text{C}$

Please weld in 6 seconds, 260°C below.

Electrical/Optical Characteristics (at $T_A=25^\circ\text{C}$):

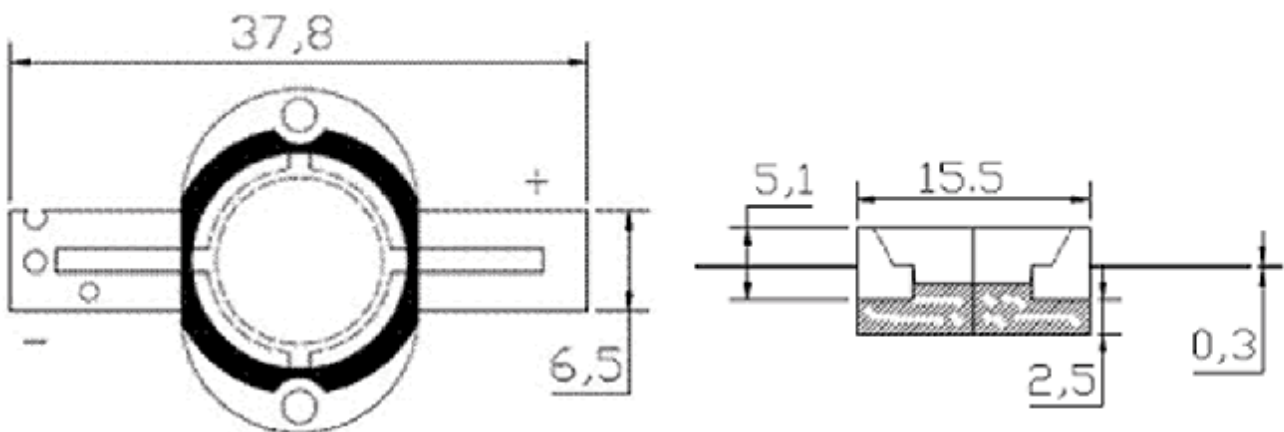
Parameter	Condition	Unit	Min.	Typ.	Max.
Forward Voltage V_F	$I_F=1000\text{mA}$	V		9.5	10.5
Reverse Current I_R	$V_R=5\text{V}$	μA			50
Luminous Intensity I_V	$I_F=1000\text{mA}$	lm	600		700
Viewing Angle $2\theta_{1/2}$		($^\circ$)		180	
Color Temperature T_C	$I_F=1000\text{mA}$	K	6000		7000

1. Forward voltage: $\pm 0.1\text{V}$.
2. Peak wavelength: $\pm 2.0\text{nm}$.
3. Light intensity: $\pm 15\%$.

Life testing:

- I 1000H flux attenuation $<5\%$ (1000mA, 25°C condition)
- I 50000H flux attenuation $<20\%$ (1000mA, 25°C condition)

Package Dimensions:



Units: mm

Tolerance: $\pm 0.25\text{mm}$