

# IL12C2-20W

## FEATURES:

- I GaN/SiC LED
- I 20W High-brightness LED LAMP
- I High luminous intensity, high reliability and long life
- I Pb free



## APPLICATIONS:

Lighting, flashlights, miner's lamp, LED lamps and a variety of urban lighting engineering, stage lighting, etc.

## ABSOLUTE MAXIMUM RATINGS (at $T_A=25^{\circ}\text{C}$ ):

Parameter	Symbol	Min.	Max.	Unit
Forward Current	$I_F$		1400	mA
Pulse Forward Current	$I_{FP}^*$		3000	mA
Reverse Voltage	$V_R$		5	V
Power Dissipation	$P_D$		20	W
ESD	V		$\pm 4500$	V
Operating Temperature	$T_{opr.}$	-30	+85	$^{\circ}\text{C}$
Storage Temperature	$T_{stg.}$	-40	+100	$^{\circ}\text{C}$

**TSOL  $250^{\circ}\text{C} \pm 10^{\circ}\text{C}$  for 3~5 Seconds.**

### Electrical/Optical Characteristics (at $T_A=25^\circ\text{C}$ ):

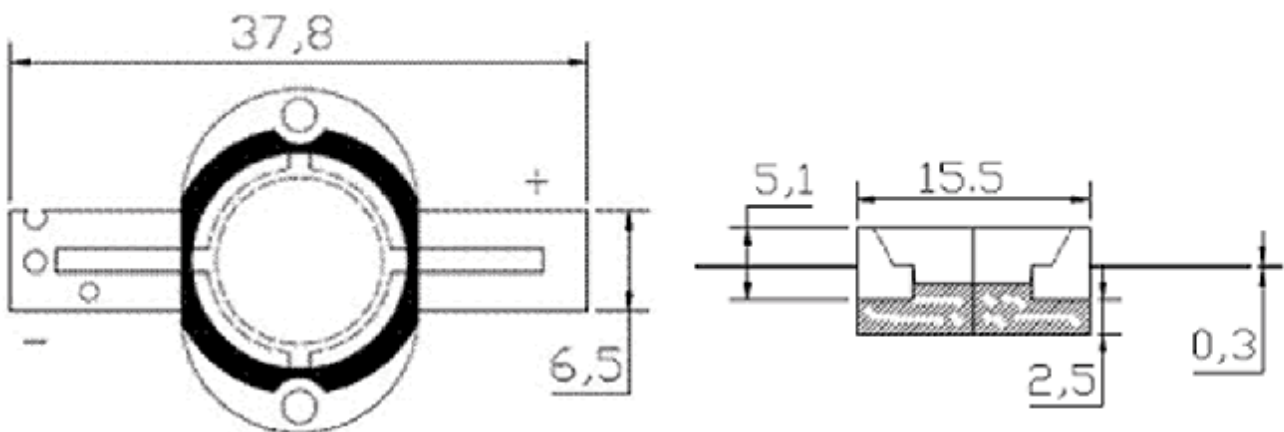
Parameter	Condition	Unit	Min.	Typ.	Max.
Forward Voltage $V_F$	$I_F=1400\text{mA}$	V		14	16
Reverse Current $I_R$	$V_R=5\text{V}$	$\mu\text{A}$			50
Luminous Intensity $I_V$	$I_F=1400\text{mA}$	lm	800		1000
Viewing Angle $2\theta_{1/2}$		( $^\circ$ )		140	
Color Temperature $T_C$	$I_F=1400\text{mA}$	K	6000		7000

1. Forward voltage:  $\pm 0.1\text{V}$ .
2. Peak wavelength:  $\pm 2.0\text{nm}$ .
3. Light intensity:  $\pm 15\%$ .

### Life Testing:

- I 1000H flux attenuation  $<5\%$  (1000mA,  $25^\circ\text{C}$  condition)
- I 50000H flux attenuation  $<20\%$  (1000mA,  $25^\circ\text{C}$  condition)

### Package Dimensions:



Units: mm

Tolerance:  $\pm 0.25\text{mm}$