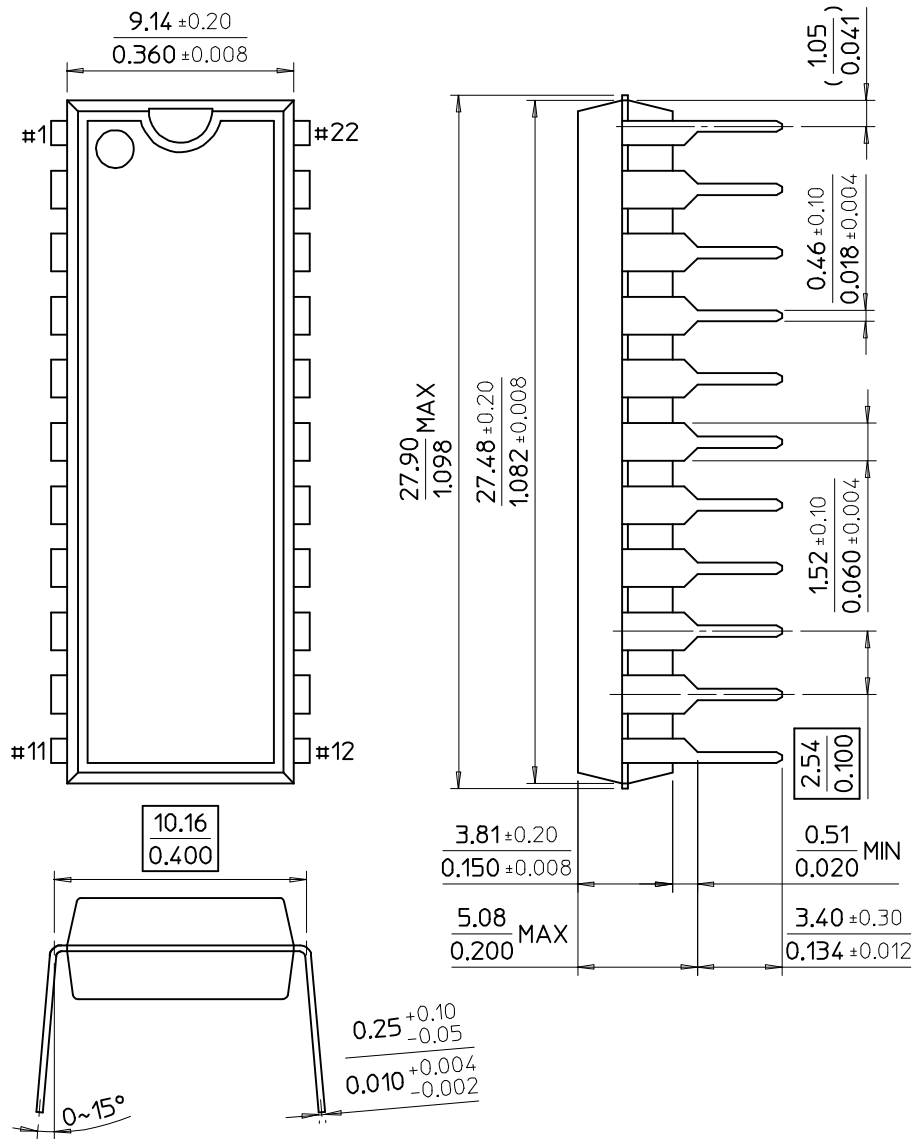


**22-DIP-400**

Dimensions in Milimeters/inches



SAMSUNG ELECTRONICS CO.,LTD.